

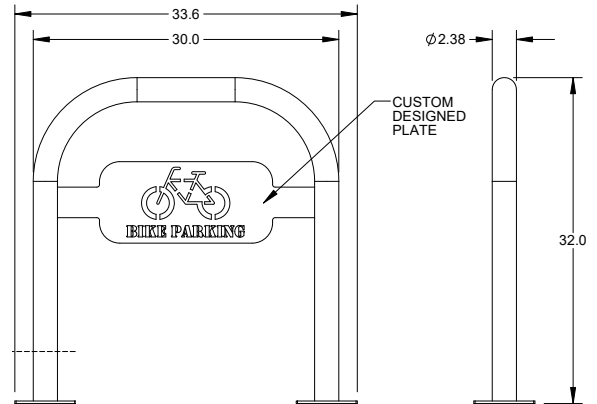


# BRANDED BIKE DOCK

Sky's the limit on how to use bike parking to communicate and reinforce your brand. Custom designed plate added to standard bike dock makes a big statement in a cost effective manner.



2215 Shown



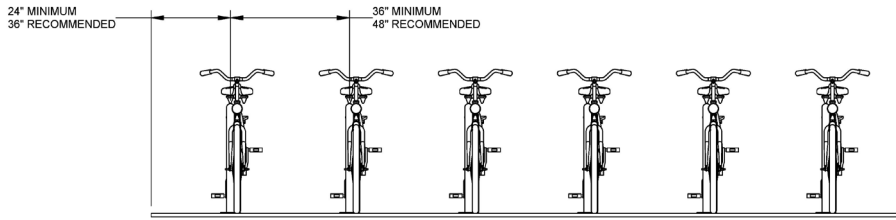
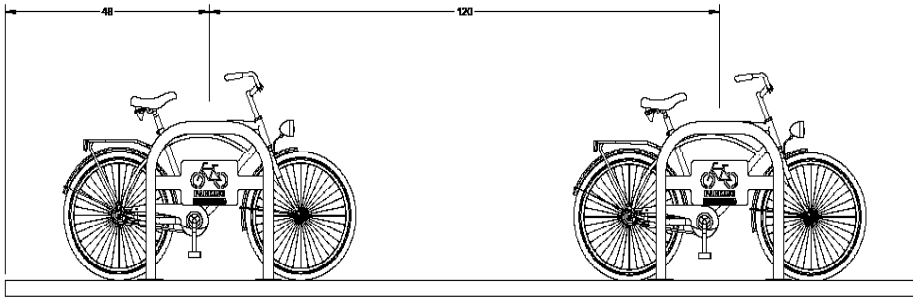
## Specifications

Model #	# Bikes	Type of Mount	Weight	Length	Width	Height	Footprint with Bikes
2 3/8" schedule 40 steel pipe, 9 gauge							
2114	2	Below Grade Mount	40 lbs.	30"	2.4"	32"	48" x 72"
2115	2	Flange Mount	39 lbs.	34"	6"	32"	48" x 72"
2" X 2" X 3/16" square tubing, 7 gauge							
2214	2	Below Grade Mount	47 lbs.	30"	2.4"	32"	48" x 72"
2215	2	Flange Mount	43 lbs.	34"	6"	32"	48" x 72"

Our Bike Fixation representatives can assist with custom layout and spacing to meet your room dimensions and desired bike capacity.

# Branded Bike Dock

## Recommended Spacing



## Product Details

- Available in 2.38" round and 2" square tube
- Offers 2 points of contact for bike stability

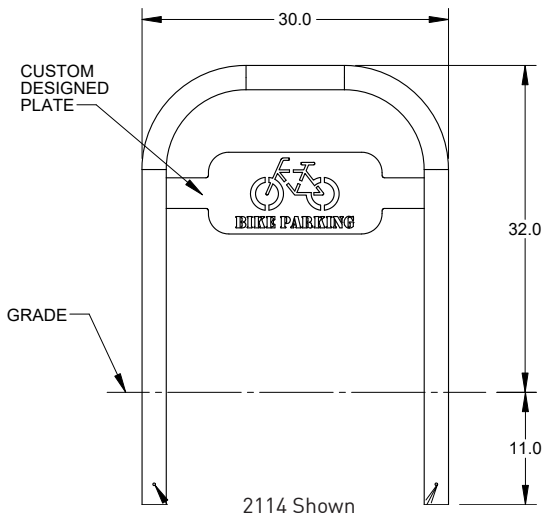
## Product Dimensions



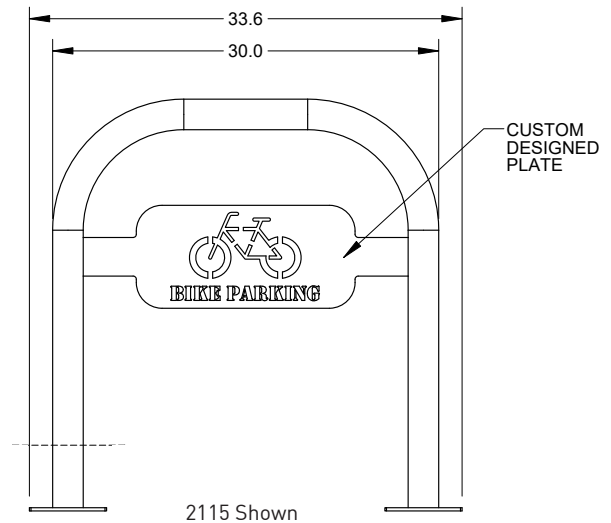
Below Grade Mount



Flange Mount



2114 Shown



2115 Shown



Product Information



# of Bikes



Materials



Finish



Hardware



Spacing



Manufactured by Bike Fixation

2 bikes per rack

2.38" round tube  
2" square tube

Powder Coat

Flange Mount recommended anchor:  
Temporary Mount: #6263  
Permanent Mount: #6260

48" recommended between perpendicular racks  
120" recommended between racks (center to center)

Meets APBP standards

Anchors must be purchased separately



Standard Colors

Downloadable product resources available online:



CAD Files



SketchUp Files



Written Specs



Photos