

POST & RING



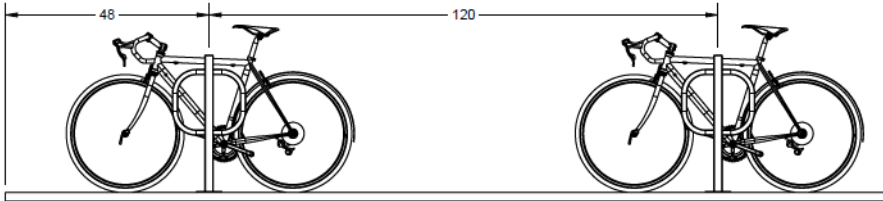
The Post and Ring rack provides a modern look for bike parking with a small footprint and only one installation point. With its square tubing, the Post and Ring is the perfect blend of high security and easy installation.

Product Specifications

- One point of installation and small footprint on the sidewalk
- Full square tube construction
- Accommodates two bikes
- Meets APBP bike parking guidelines

Post & Ring

Recommended Setbacks



2 bikes



2" Square
1.25"



Powder Coat
Galvanized



Temporary (28879)
Temporary Secure (26270)
Permanent
Spike Anchor (6266)



1 year
warranty

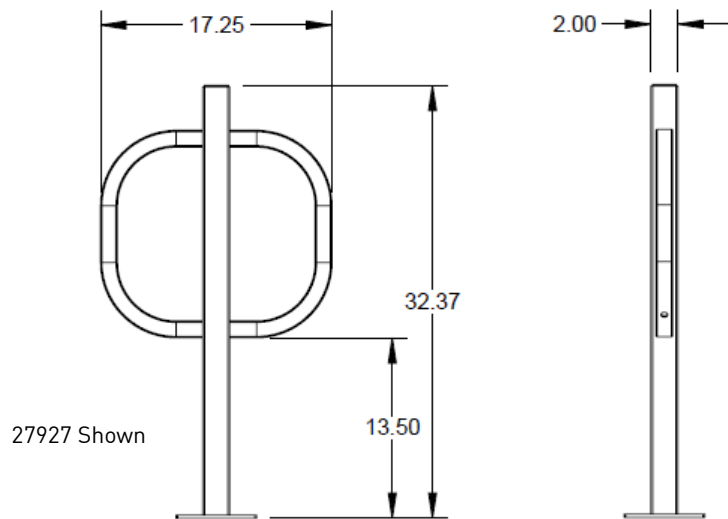
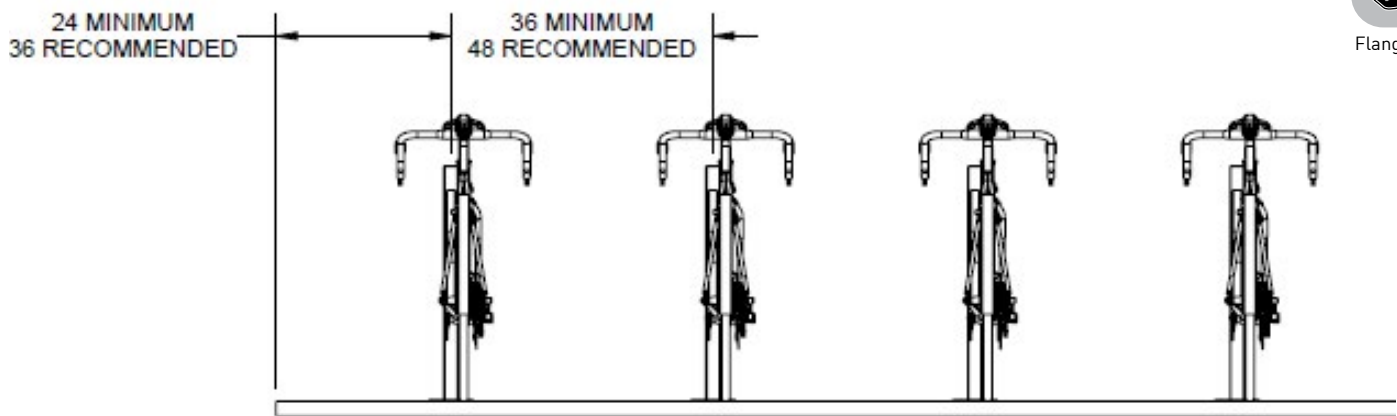


Made in
the USA

Anchors must be purchased separately



Flange Mount



Dimensions

Model	# Bikes	Finish	Weight	Length	Height	Width
27927BLK	2	Powder Coat	22 lbs.	17.25"	32.37"	6"
28387	2	Galvanized	22 lbs.	17.25"	32.37"	6"

Our Saris Infrastructure representatives can assist with custom layout and spacing to meet your room dimensions and desired bike capacity.

Saris Infrastructure 800.783.7257

www.sarisinfrastructure.com

Downloadable product resources available online:



CAD Files



SketchUp Files



Written Specs



Photos