

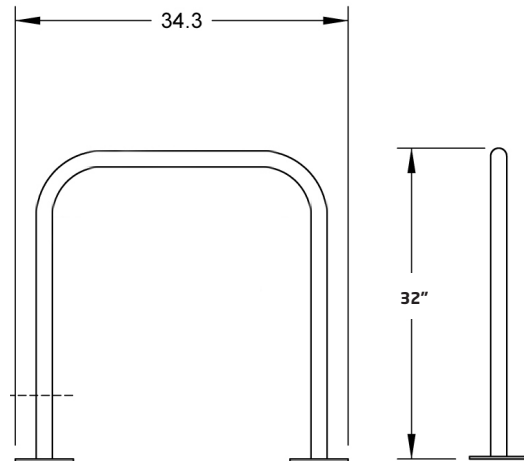


BIKE DOCK

The bike dock is a simple and intuitive design that provides space efficient, high security bike parking. The bike dock accommodates two bikes, supporting them at two points and allowing for u-lock compatibility of both the wheel and bike frame.



2113 Shown



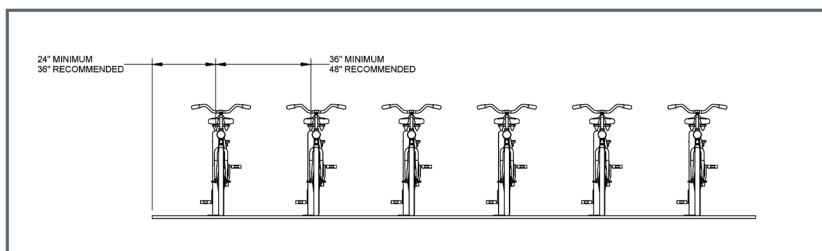
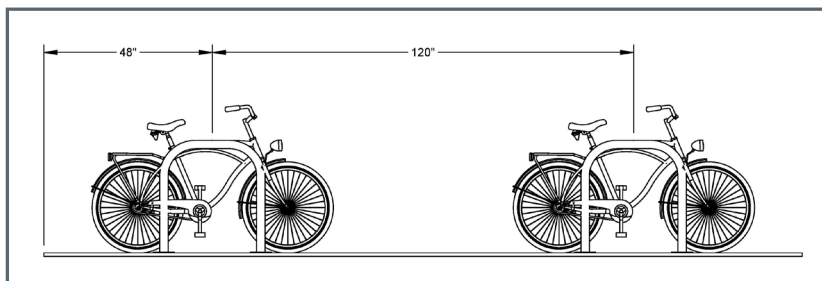
Specifications

Model #	# Bikes	Type of Mount	Weight	Length	Width	Height	Footprint with Bikes
1.66" electrowelded steel tubing, 12 gauge							
6902	2	Below Grade Mount	17 lbs.	30"	2"	32"	48" x 72"
6903	2	Flange Mount	19 lbs.	34"	6"	32"	48" x 72"
2 3/8" schedule 40 steel pipe, 9 gauge							
2112	2	Below Grade Mount	31 lbs.	30"	2.4"	32"	48" x 72"
2113	2	Flange Mount	30 lbs.	34"	6"	32"	48" x 72"
2" X 2" X 3/16" square tubing, 7 gauge							
2212	2	Below Grade Mount	38 lbs.	30"	2.4"	32"	48" x 72"
2213	2	Flange Mount	34 lbs.	34"	6"	32"	48" x 72"

Our Bike Fixation representatives can assist with custom layout and spacing to meet your room dimensions and desired bike capacity.

Bike Dock

Recommended Spacing



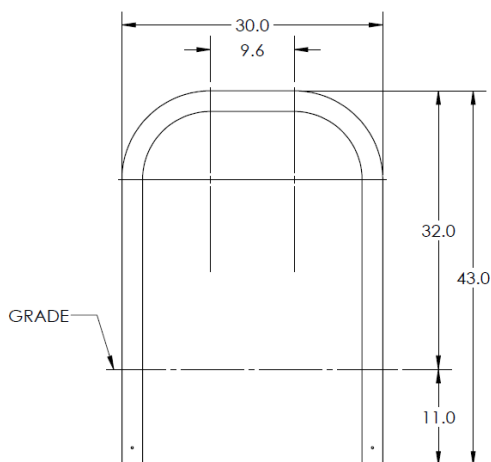
Product Details

- 1.66", 12 gauge schedule 40 pipe -- most affordable solution
- 2 3/8", 9 gauge schedule 40 pipe -- larger diameter pipe leaves less space between the lock and rack, which provides better security
- 2" square, 7 gauge schedule 40 pipe -- square tubing resists efforts from thieves using pipe cutters
- Offers 2 points of contact for bike stability

Product Dimensions



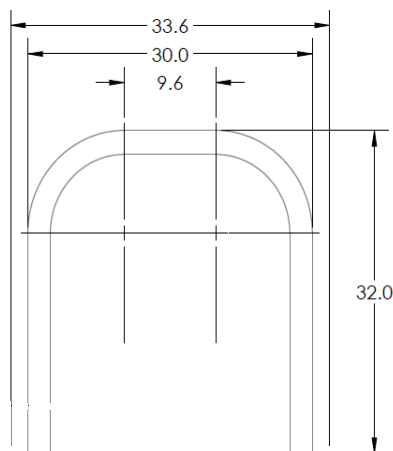
Below Grade Mount



2112 Shown



Flange Mount



2113 Shown



Product Information

Manufactured by Bike Fixation



of Bikes

2 bikes per rack



Materials

1.66", 12 gauge
2 3/8" 9 gauge
2" Square, 7 gauge



Finish

Powder Coat
Galvanized



Hardware

Flange Mount recommended anchor:
Temporary Mount: #6263
Permanent Mount: #6260



Spacing

48" recommended between perpendicular racks
120" recommended between racks (center to center)



Meets APBP standards

Anchors must be purchased separately



Standard Colors

Downloadable product resources available online:



CAD Files



SketchUp Files



Written Specs



Photos