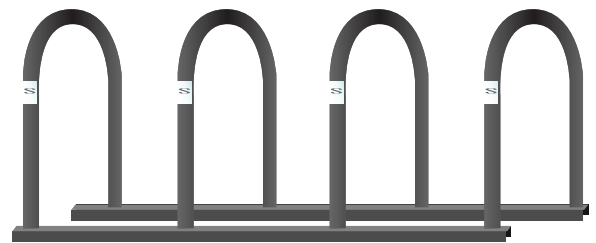




ANGLED STADIUM RACK

The angled stadium provides all the features of the stadium rack, with the additional space saving feature of angled hoops.

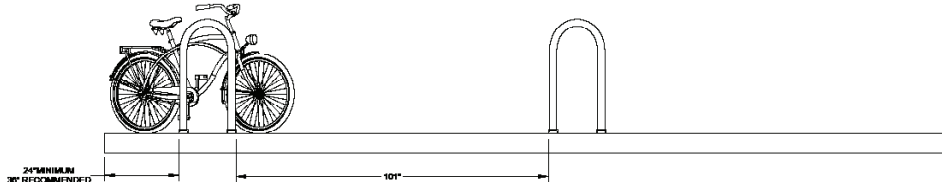
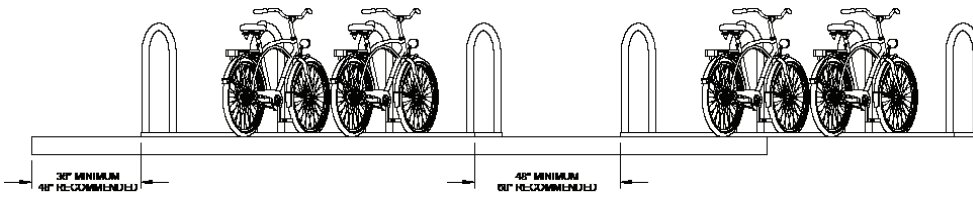


Specifications -2 3/8" schedule 40 steel pipe, 9 gauge							
Model #	# Bikes	Type of mount	weight	length	width	height	Space Requirement
2137	6	Freestand	154 lbs.	84"	18.6"	37.2"	80" x 120"
2139	8	Freestand	190 lbs.	119"	18.6"	37.2"	80" x 156"

Note: Saris Parking Systems representatives can assist with custom layout and spacing to meet your room dimensions and desired bike capacity.

Angled Stadium Rack

Recommended Spacing



Product Details

- Angled hoops reduces installation width requirement (5 feet instead of 6 feet)
- Heavy duty, 2 3/8" outer diameter 9 gauge schedule 40 pipe
- Hoops angled 60 degrees to reduce width of installation footprint



Product Information



of Bikes



Materials



Finish



Hardware



Spacing

Saris Angled Stadium as manufactured by Saris

Varies from 6 bikes and up

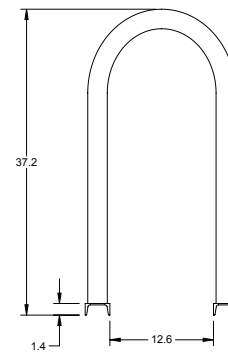
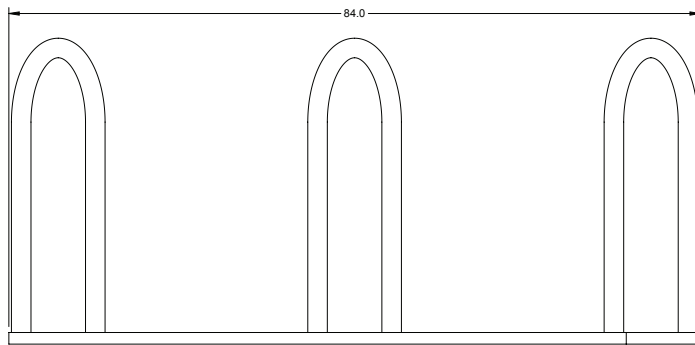
2 3/8" round tube
3" x 1 1/2" c-channel

Powder Coat
Galvanized
Thermoplastic

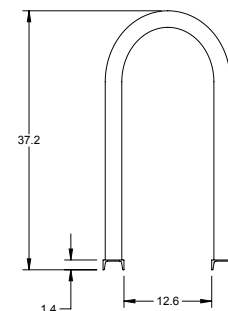
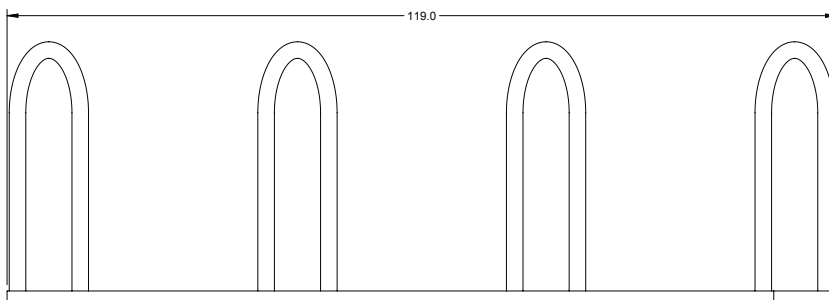
Can be freestanding or use recommend #6259 for concrete installation and #6267 for asphalt installation

24" from wall or curb
48" recommended between racks

Anchors must be purchased separately



Standard Colors



Downloadable product resources available online:

