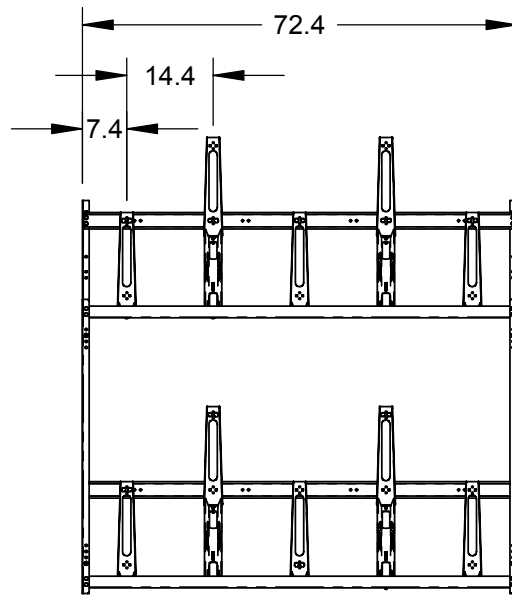
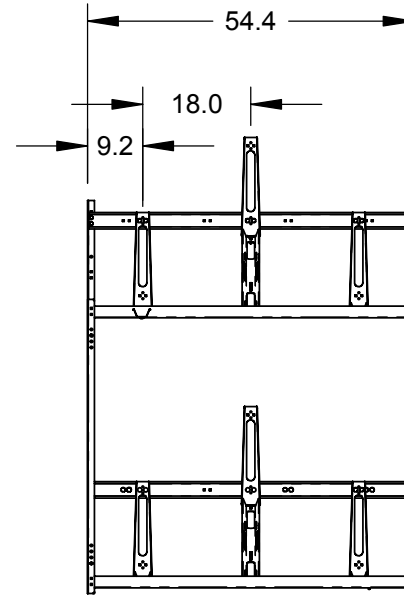


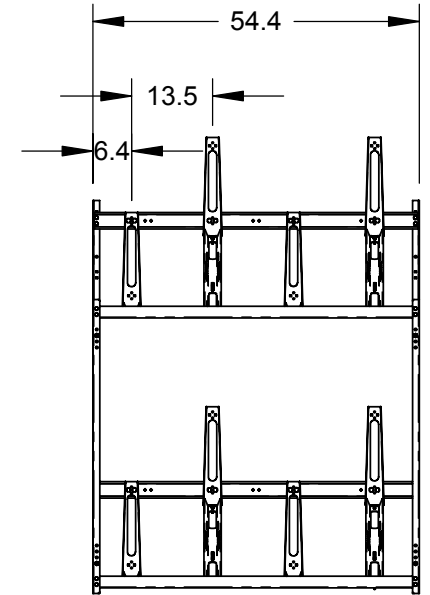
**8080  
8180**



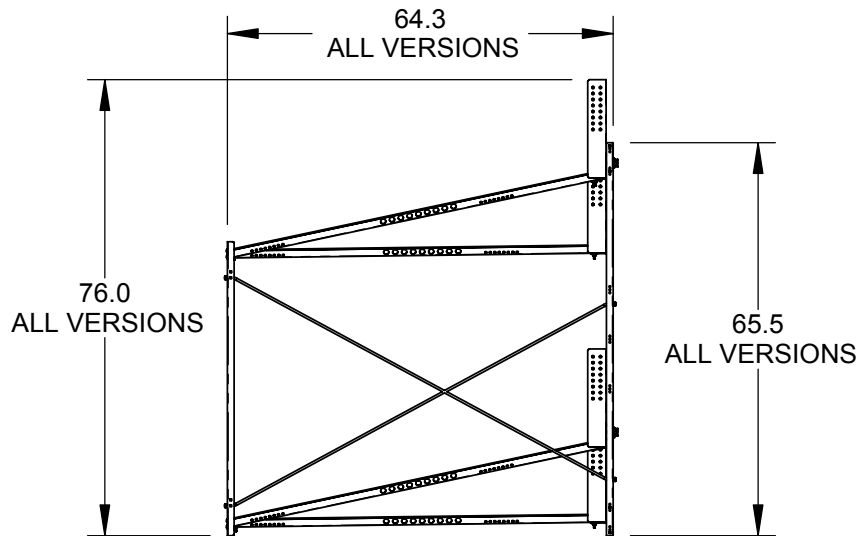
**8010  
8110**



**8016  
8116**



**8018  
8118**



**8080, 8180  
8010, 8110  
8016, 8116  
8018, 8118**

**NOTE:**

1. DO NOT SCALE DRAWING.
2. INTALLATION TO BE COMPLETED IN ACCORDANCE WITH MANUFACTURER'S SPECIFICATIONS.
3. MINIMUM CEILING HEIGHT - 8' 0".



WE BRING CYCLING TO LIFE.

**SARIS CYCLING GROUP**

5253 VERONA RD., MADISON WI. 53711  
1-800-783-7257 / 1-608-274-1702  
WWW.SARISPARKING.COM

THE INFORMATION CONTAINED IN THIS DRAWING IS THE SOLE PROPERTY OF SARIS CYCLING GROUP ANY REPRODUCTION IN PART OR WHOLE WITHOUT THE WRITTEN PERMISSION OF SARIS CYCLING GROUP IS PROHIBITED.

TITLE:

**STRETCH PARKING RACK**