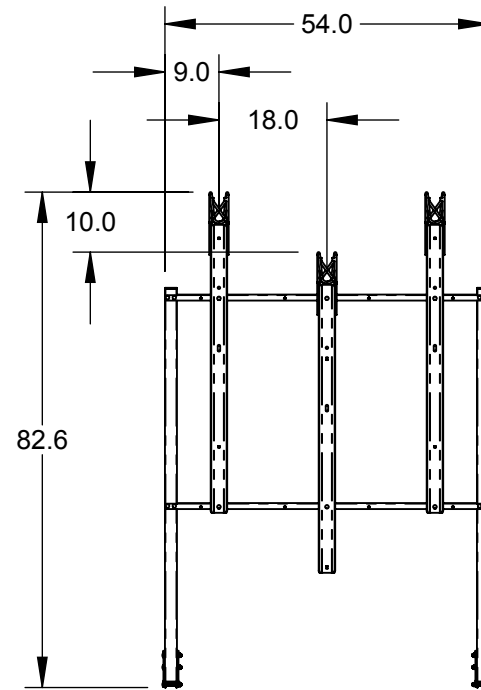
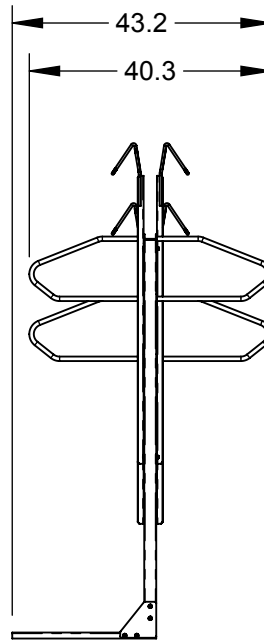
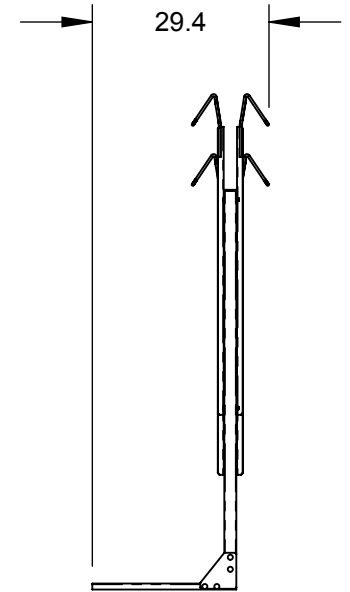


**8063
6-BIKE LOCKING RACK**



**8033
6-BIKE NON-LOCKING RACK**



NOTES:

1. DO NOT SCALE DRAWING
2. INSTALLATION TO BE COMPLETED IN ACCORDANCE WITH MANUFACTURER'S SPECIFICATIONS
3. BOTH THE 8063 & 8033 CAN BE UPGRADED TO 8 BIKES WITH THE USE OF 6006 OR 6003T. BIKE SPACING WILL BE REDUCED TO 14.4".

 <p>WE BRING CYCLING TO LIFE.</p>	 <p>powertap</p>	<p>SARIS CYCLING GROUP 5253 VERONA RD., MADISON WI. 53711 1-800-783-7257 / 1-608-274-6550 WWW.SARIS.COM WWW.CYCLEOPS.COM WWW.POWERTAP.COM</p>
		<p>© SARIS CYCLING GROUP 2014 THE INFORMATION CONTAINED IN THIS DRAWING IS THE SOLE CONFIDENTIAL PROPERTY OF SARIS CYCLING GROUP ANY REPRODUCTION IN PART OR WHOLE WITHOUT THE WRITTEN PERMISSION OF SARIS CYCLING GROUP IS PROHIBITED.</p> <p>TITLE: 8033/8063 6 BIKE VERTICAL RACK</p>