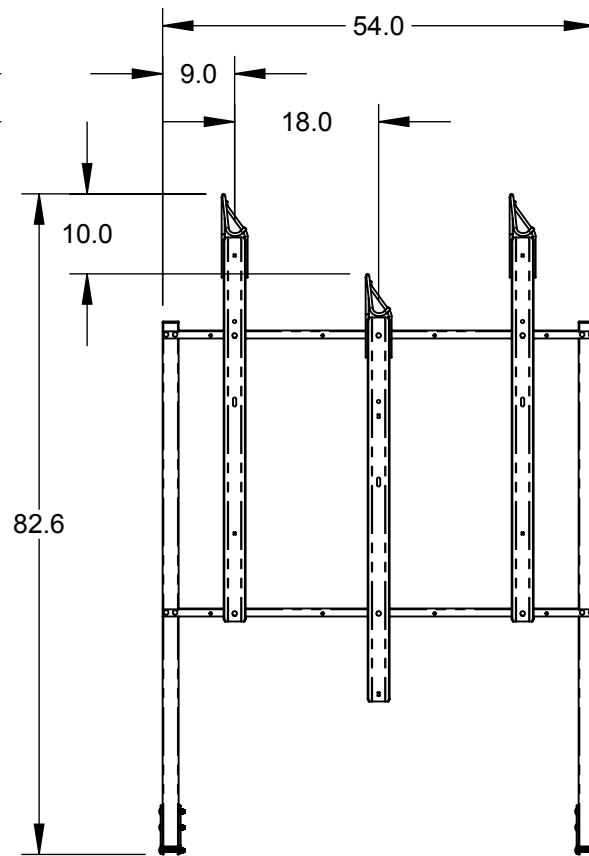
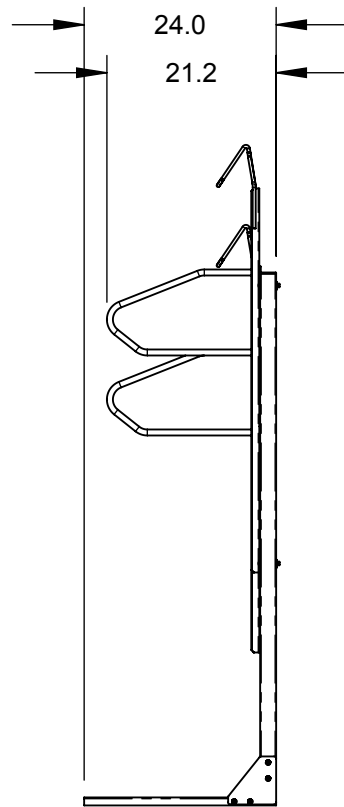
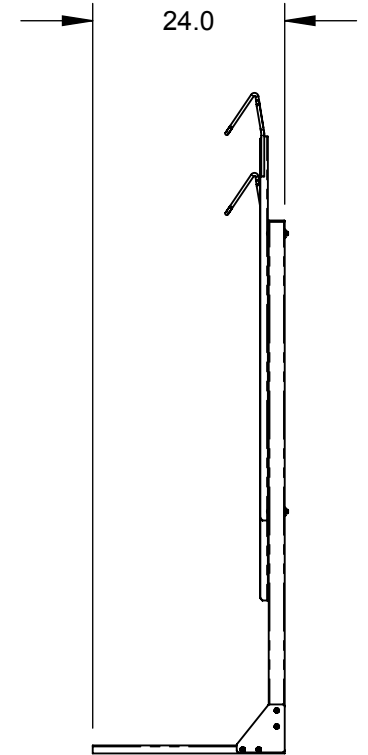


8043
3 BIKE LOCKING RACK



8023
3 BIKE NON-LOCKING RACK



NOTES:

1. DO NOT SCALE DRAWING
2. INSTALLATION TO BE COMPLETED IN ACCORDANCE WITH MANUFACTURER'S SPECIFICATIONS
3. BOTH TEH 8043 & 8023 CAN BE UPGRADED TO 4 BIKES WITH THE USE OF 6006 OR 6003T. BIKE SPACING WILL BE REDUCED TO 14.4".



SARIS CYCLING GROUP

5253 VERONA RD., MADISON WI. 53711
 1-800-783-7257 / 1-608-274-6550
 WWW.SARIS.COM WWW.CYCLEOPS.COM
 WWW.POWERTAP.COM



© SARIS CYCLING GROUP 2014
 THE INFORMATION CONTAINED IN THIS DRAWING IS THE SOLE CONFIDENTIAL PROPERTY OF SARIS CYCLING GROUP ANY REPRODUCTION IN PART OR WHOLE WITHOUT THE WRITTEN PERMISSION OF SARIS CYCLING GROUP IS PROHIBITED.

TITLE:
8023/8043 3 BIKE VERTICAL RACK