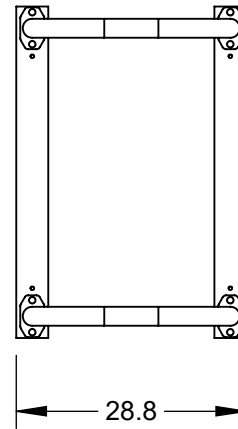
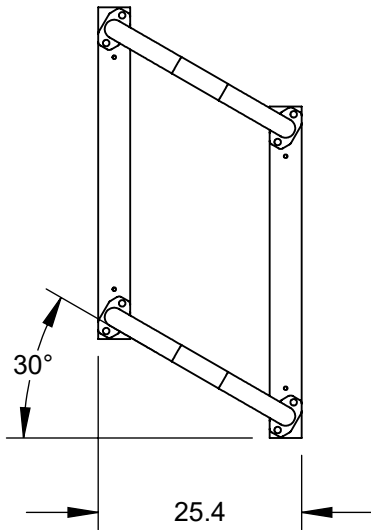
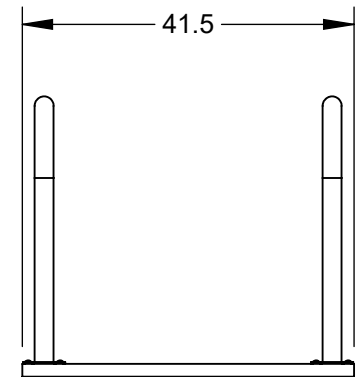
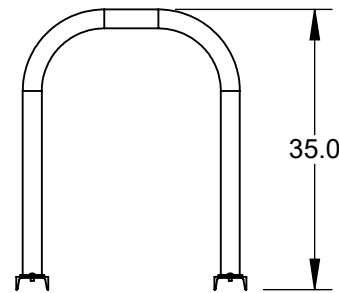


NOTES:

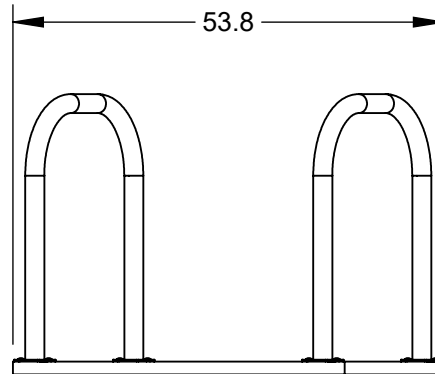
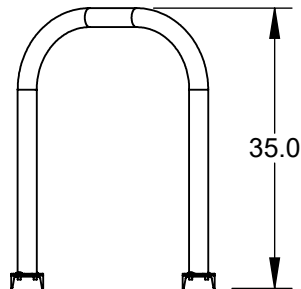
1. DO NOT SCALE DRAWING.
2. INSTALLATION TO BE COMPLETED IN ACCORDANCE WITH MANUFACTURER'S SPECIFICATIONS.
3. TOTAL WEIGHT: 84.42 LBS



**STRAIGHT CONFIGURATION**



**ANGLED CONFIGURATION**



5253 VERONA ROAD, MADISON WI. 53711  
1-800-783-7257 / WWW.SARIS.COM

© SARIS CYCLING GROUP 2014  
THE INFORMATION CONTAINED IN THIS DRAWING IS THE SOLE CONFIDENTIAL PROPERTY OF SARIS CYCLING GROUP ANY REPRODUCTION IN PART OR WHOLE WITHOUT THE WRITTEN PERMISSION OF SARIS CYCLING GROUP IS PROHIBITED.

TITLE:

**4 BIKE CORRAL**