

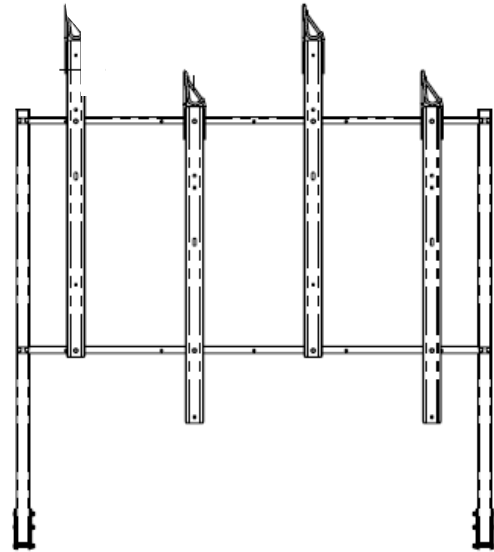


# VERTICAL RACKS

When floor space is at a premium, the vertical rack uses wall space to efficiently park bikes. The vertical system can be mounted into the floor or wall (perfect for a space where mounting into the wall isn't an option), uses a vertical stagger to minimize between bike spacing, and can be modular to create larger scale parking areas.



8024 Shown



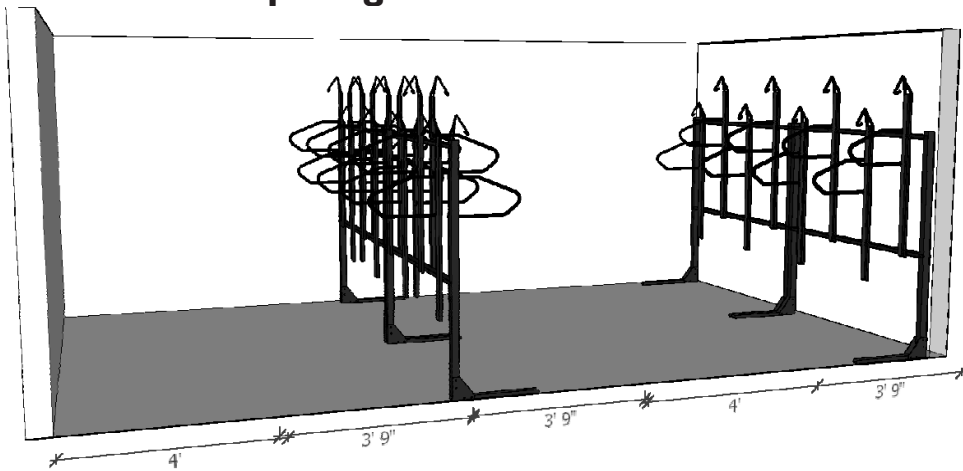
## Specifications

	Vertical Rack: Non-Locking				Vertical Rack: Locking			
	3 bike	4 bike	6 bike	8 bike	3 bike	4 bike	6 bike	8 bike
Bike Capacity	3 bike	4 bike	6 bike	8 bike	3 bike	4 bike	6 bike	8 bike
Model Number	8023	8024	8033	8034	8043	8044	8063	8064
Bike Spacing	18"	18"	18"	18"	18"	18"	18"	18"
Foot Print (width x depth)	54" x 46"	75" x 46"	54" x 90"	75" x 90"	54" x 46"	75" x 46"	54" x 90"	75" x 90"
Ceiling Height Min.	84"	84"	84"	84"	84"	84"	84"	84"

**Our Bike Fixation representatives can assist with custom layout and spacing to meet your room dimensions and desired bike capacity.**

# Vertical Racks

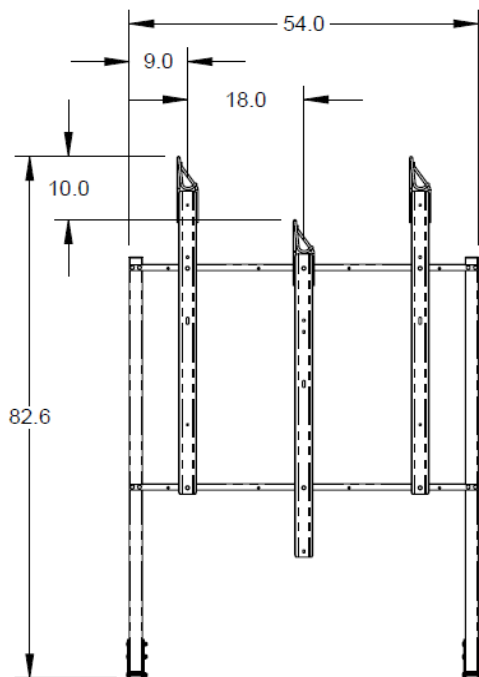
## Recommended Spacing



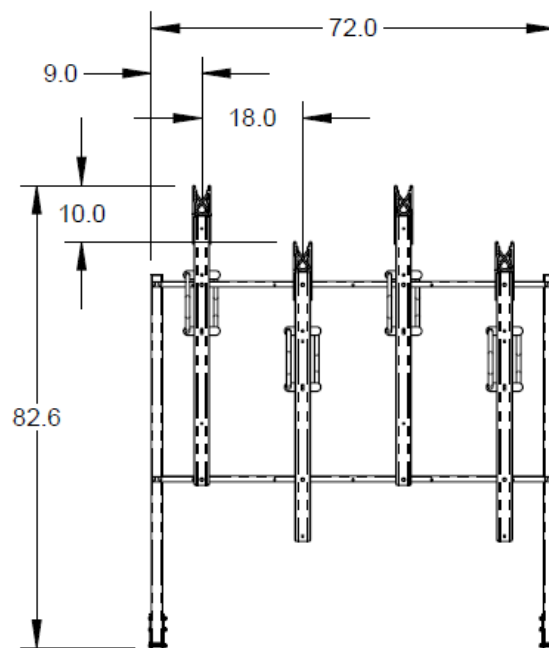
## Product Details

- Smallest footprint for indoor parking product
- Versatile configurations
- Locking and non-locking versions available
- Staggered design minimizes handlebar interference
- Perfect for areas where wall mounting is not an option
- Expandable with one bike add-on (6003T, 6003C, 6003F, 6003FC, 6006)

## Product Dimensions



8023 Shown



8044 Shown



Product Information

Manufactured by Bike Fixation



# of Bikes

3, 4, 6 or 8 bike options



Materials

TGIC black powder coat finish



Finish

Powder Coat (black only)



Hardware

Floor or wall mounting options  
Recommended anchor: #6264



80" minimum ceiling height



Made in the USA

Anchors must be purchased separately

Downloadable product resources available online:



CAD Files



SketchUp Files



Written Specs



Photos