

Wall Hanger



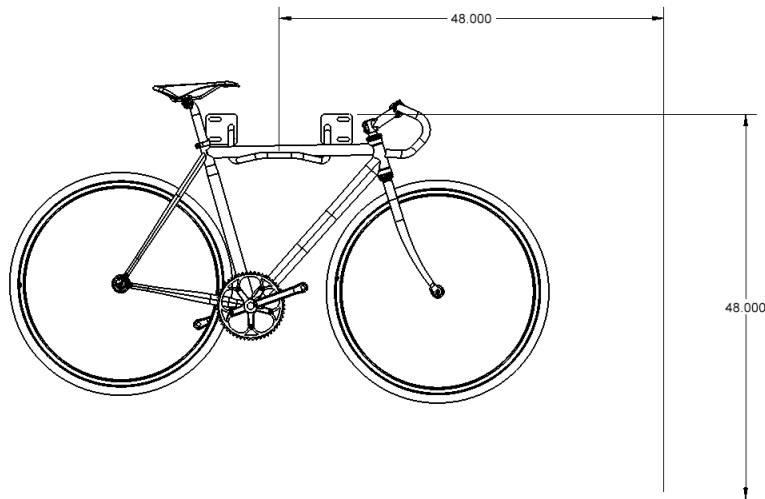
The Wall Hanger allows parking and secure locking for two bikes. Perfect for storing bikes off the ground in smaller rooms or at the front of car parking spaces to nest bikes safely with a minimal footprint.

Product Specifications

- 3/4" solid round bar bike cradle/locking bar
- Closed loop design allows locking in any location with any standard bike lock
- Accommodates two bikes
- Mounting flanges spaced at 16" for standard studs or can be mounted directly into solid walls
- Soft touch vinyl coating helps prevent damage to bike frames

Wall Hanger

Recommended Setbacks



2 bikes



3/4" round bar



PVC Dip



For mounting into formed concrete walls
Temporary: 28879
Temporary Secure: 26270



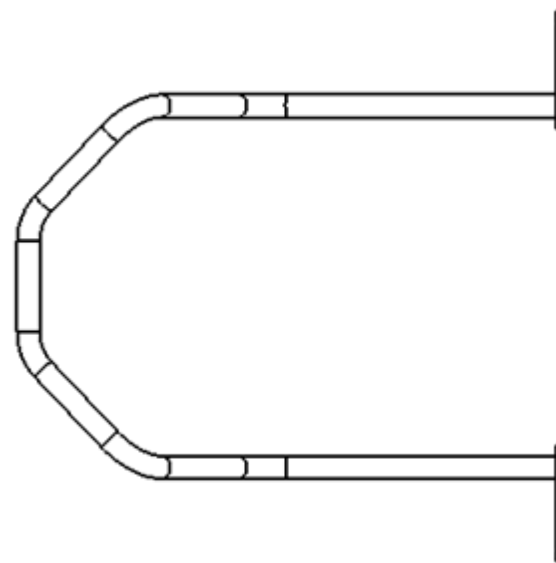
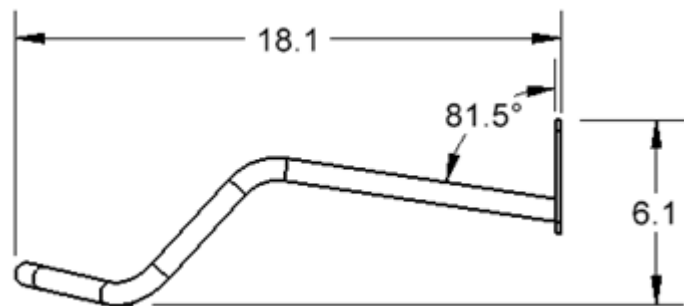
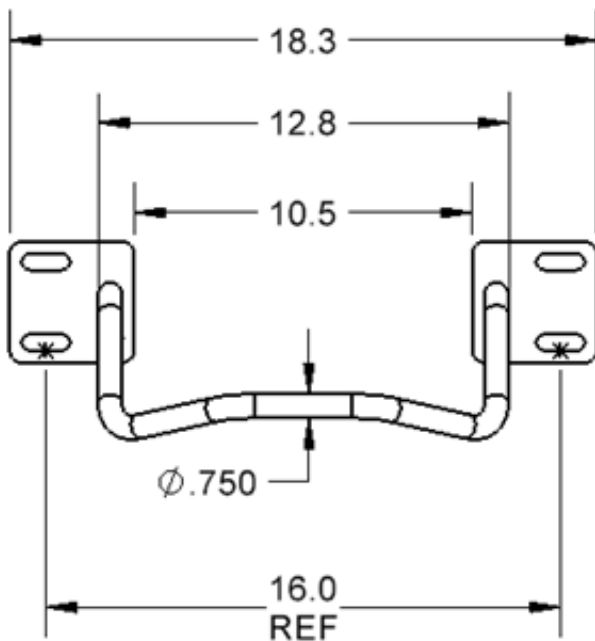
1 year warranty



Made in the USA

For all other surfaces, consult installer

Anchors must be purchased separately



Dimensions

Model #	# Bikes	Type of Mount	Weight	Length	Width	Height
6110	2	Wall Mount, Flange	8 lbs.	18.1"	18.3"	6.1"

Our Saris Infrastructure representatives can assist with custom layout and spacing to meet your room dimensions and desired bike capacity.

Saris Infrastructure 800.783.7257

www.sarisinfrastructure.com

Downloadable product resources available online:



CAD Files



SketchUp Files



Written Specs



Photos