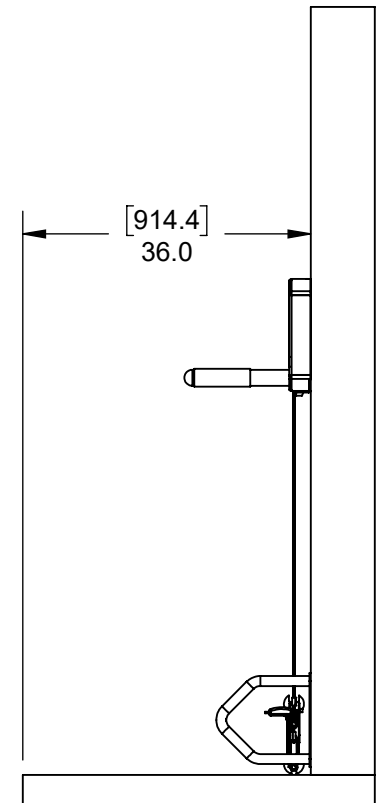
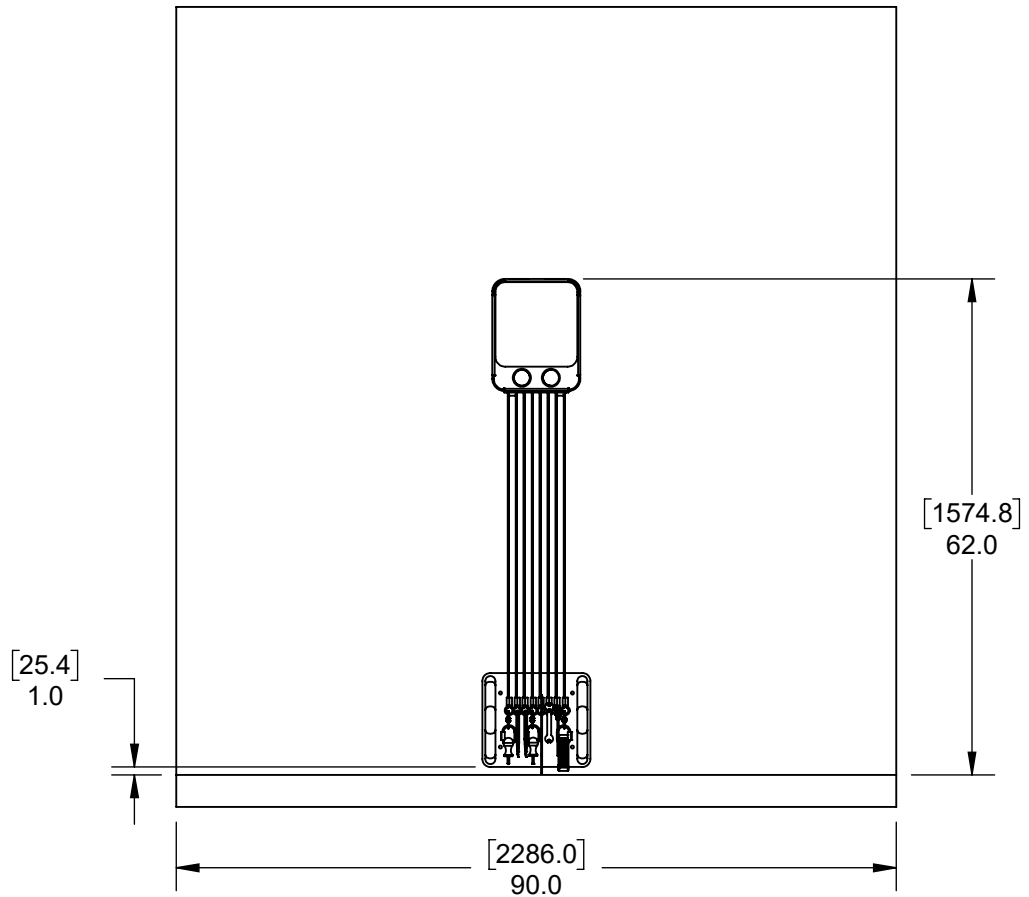
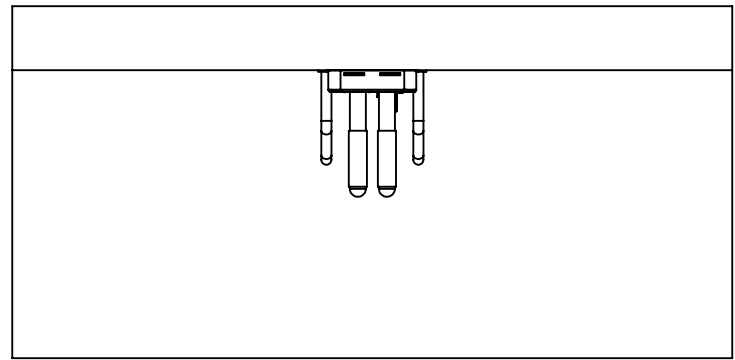





REVISIONS			
REV	DESCRIPTION	APP.	DATE
1	INITIAL RELEASE	XXX	X/X/XX



VENDOR REPRESENTATIVE:		DATE:		 5253 VERONA ROAD MADISON WI. 53711 1-800-783-7257 WWW.SARIS.COM	
UNLESS OTHERWISE SPECIFIED, DIMENSIONS ARE IN IMPERIAL UNITS. TOLERANCES ARE:		MATERIAL: SEE BILL OF MATERIAL			
IMPERIAL:		FINISH: NONE		APPROVALS	
X" = .250		PART VOLUME:		DATE	
.X" = .060		CU/IN.		DRAWN	
.XX" = .020		PART WEIGHT:		CHECKED	
.XXX" = .005		LBS.		RESP ENG	
ANGLES ±1°				MFG ENG	
 				PURCHASING. REP.	
				THE INFORMATION CONTAINED IN THIS DRAWING IS THE SOLE PROPERTY OF SARIS CYCLING GROUP ANY REPRODUCTION IN PART OR WHOLE WITHOUT THE WRITTEN PERMISSION OF SARIS CYCLING GROUP IS PROHIBITED.	
				TITLE:	
		SCALE: 1:24		SIZE: B	
		DWG. NO. WALL MOUNT WORK		REV. 1	
		SHEET 1 OF 1		SHEET 1 OF 1	