



SARIS
INFRASTRUCTURE

STACK RACK DIMENSIONS

Customer Service
800.783.7257
sarisinfrastructure.com

Tell Us What You Think



sarisinfrastructure.com/feedback

Register your product for updates
sarisinfrastructure.com/registration

Thanks for purchasing a Saris Infrastructure product!

Congratulations on choosing a world-class two-tier bicycle parking system! The Stack Rack was designed and manufactured in the Upper Midwest, the steel is from local foundries and the end product was carefully produced by our beloved staff in Madison, WI.

The Stack Rack is a customizable two-tiered lift assist bicycle parking system that combines industrial design and strength with dialed spacing to maximize density and usability. Flexibility in bike spacing, rack configuration and its modular design make this system adaptable to nearly any installation location. Most of all, it is easy to assemble and maintain.

Please read and understand the following instructions before beginning your installation.

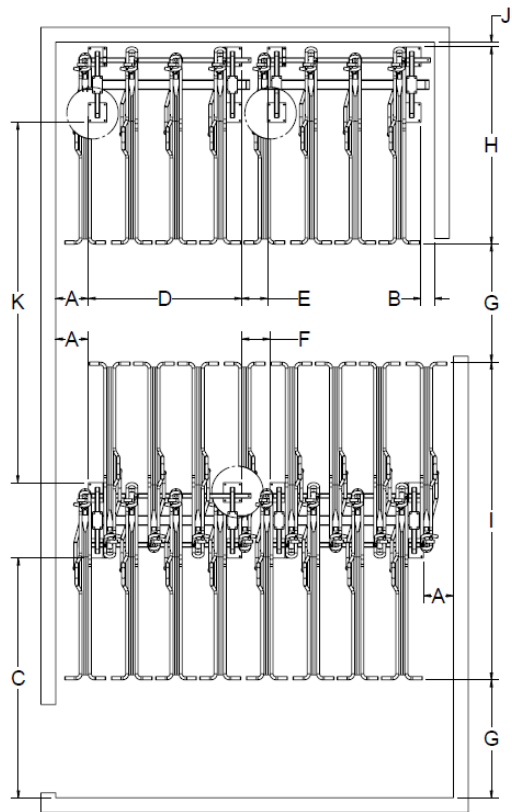
Everyone here at Saris wants you to be happy with this product. Please contact us (sales@sarisinfrastructure.com, 800-783-7257) should you need anything.

Single-Sided

Configuration	"A"	"B"	"D"	"E"	"G"	"H"	"J"	"K"	"L"	"M"	"N"	"O"
17" (43.2cm) Handlebar Spacing 4 Bike	15.5" (33.7cm)	5" (12.7cm)	27"(68.6cm)	9" (22.9cm)	48" (121.9cm) Min.	80.5" (204.5cm)	2" (5.1cm)	146.75" (372.8cm) Min. 170.75" (433.7cm) Recommended	12" (30.5cm) – Lower position 20" (50.8cm) – Upper position	104" (264.2cm)	42"	29.75" (75.6 cm)
17" (43.2cm) Handlebar Spacing 6 Bike			44"(111.8cm)									
17" (43.2cm) Handlebar Spacing 8 Bike			61"(154.9cm)									
17" (43.2cm) Handlebar Spacing 10 Bike			78"(198.1cm)									
17" (43.2cm) Handlebar Spacing 12 Bike			95"(241.3cm)									
17" (43.2cm) Handlebar Spacing 14 Bike			112"(284.5cm)									
17" (43.2cm) Handlebar Spacing 16 Bike			129"(327.7cm)									
18" (45.7cm) Handlebar Spacing 4 Bike			10.5" (26.7cm)	27"(68.6cm)								
18" (45.7cm) Handlebar Spacing 6 Bike				44"(111.8cm)								
18" (45.7cm) Handlebar Spacing 8 Bike				62.5"(158.8cm)								
18" (45.7cm) Handlebar Spacing 10 Bike				80.5"(204.5cm)								
18" (45.7cm) Handlebar Spacing 12 Bike				98.5"(250.2cm)								
18" (45.7cm) Handlebar Spacing 14 Bike				116.5"(295.9cm)								
18" (45.7cm) Handlebar Spacing 16 Bike			134.5"(341.6cm)									
20" (50.8 cm) Handlebar Spacing 4 Bike			12.5" (31.8cm)	27.5" (69.9cm)								
20" (50.8 cm) Handlebar Spacing 6 Bike				47.5" (120.7)								
20" (50.8 cm) Handlebar Spacing 8 Bike				67.5" (171.5cm)								
20" (50.8 cm) Handlebar Spacing 10 Bike				87.5" (222.3cm)								
20" (50.8 cm) Handlebar Spacing 12 Bike				107.5" (273.1cm)								
20"(50.8 cm) Handlebar Spacing 14 Bike				127.5" (323.9cm)								
24" (61.0cm) Handlebar Spacing 4 Bike				14.5" (36.8cm)					33.5"(85.1cm)			
24" (61.0cm) Handlebar Spacing 6 Bike									57.5"(146.1cm)			
24" (61.0cm) Handlebar Spacing 8 Bike									81.5"(207.0cm)			
24" (61.0cm) Handlebar Spacing 10 Bike									105.5"(268.0cm)			
24" (61.0cm) Handlebar Spacing 12 Bike									129"(327.7cm)			
24" (61.0cm) Handlebar Spacing 14 Bike									153"(391.2cm)			
30" (76.2 cm) Handlebar Spacing 4 Bike				19.5" (49.5cm)					40.5" (102.9cm)			
30" (76.2 cm) Handlebar Spacing 6 Bike									70.5" (179.1cm)			
30" (76.2 cm) Handlebar Spacing 8 Bike									100.5" (255.3cm)			
30" (76.2 cm) Handlebar Spacing 10 Bike			130.5" (331.5cm)									

Double-Sided

Configuration	"A"	"C"	"D"	"F"	"G"	"I"	"J"	"K"	"L"	"M"	"N"	"O"		
17" (43.2cm) Handlebar Spacing 8 Bike	15.5" (33.7cm)	97.75" (248.3cm) Min.	27" (68.6cm)	11" (27.9cm)	48" (121.9cm) Min.	129.5" (328.9cm)		146.75" (372.8cm) Min.	12" (30.5cm) – Lower position	104" (264.2 cm)	42"	29.75" (75.6 cm)		
17" (43.2cm) Handlebar Spacing 12 Bike			44" (111.8cm)											
17" (43.2cm) Handlebar Spacing 16 Bike			61" (154.9cm)											
17" (43.2cm) Handlebar Spacing 20 Bike			78" (198.1cm)											
17" (43.2cm) Handlebar Spacing 24 Bike			95" (241.3cm)											
17" (43.2cm) Handlebar Spacing 28 Bike			112" (284.5cm)											
17" (43.2cm) Handlebar Spacing 32 Bike			129" (327.7cm)											
18" (45.7cm) Handlebar Spacing 8 Bike			121.75" (309.2cm) Recommended	27" (68.6cm)									11.5" (29.1cm)	
18" (45.7cm) Handlebar Spacing 12 Bike				44" (111.8cm)										
18" (45.7cm) Handlebar Spacing 16 Bike				62.5" (158.8cm)										
18" (45.7cm) Handlebar Spacing 20 Bike				80.5" (204.5cm)										
18" (45.7cm) Handlebar Spacing 24 Bike				98.5" (250.2cm)										
18" (45.7cm) Handlebar Spacing 28 Bike				116.5" (295.9cm)										
18" (45.7cm) Handlebar Spacing 32 Bike			134.5" (341.6cm)											
20" (50.8 cm) Handlebar Spacing 8 Bike			121.75" (309.2cm) Recommended	27.5" (69.9cm)									12.5" (31.8cm)	72" (182.9cm) Recommended
20" (50.8 cm) Handlebar Spacing 12 Bike				47.5" (120.7)										
20" (50.8 cm) Handlebar Spacing 16 Bike		67.5" (171.5cm)												
20" (50.8 cm) Handlebar Spacing 20 Bike		87.5" (222.3cm)												
20" (50.8 cm) Handlebar Spacing 24 Bike		107.5" (273.1cm)												
20" (50.8 cm) Handlebar Spacing 28 Bike		127.5" (323.9cm)												
24" (61.0cm) Handlebar Spacing 8 Bike		33.5" (85.1cm)		14.5" (36.8cm)										
24" (61.0cm) Handlebar Spacing 12 Bike		57.5" (146.1cm)												
24" (61.0cm) Handlebar Spacing 16 Bike		81.5" (207.0cm)												
24" (61.0cm) Handlebar Spacing 20 Bike		105.5" (268.0cm)												
24" (61.0cm) Handlebar Spacing 24 Bike		129" (327.7cm)												
30" (76.2 cm) Handlebar Spacing 8 Bike		40.5" (102.9cm)			19.5" (49.5cm)									
30" (76.2 cm) Handlebar Spacing 12 Bike		70.5" (179.1cm)												
30" (76.2 cm) Handlebar Spacing 16 Bike		100.5" (255.3cm)												
30" (76.2 cm) Handlebar Spacing 20 Bike		130.5" (331.5cm)												



A and B dimensions position end trays 14" on center from the wall.

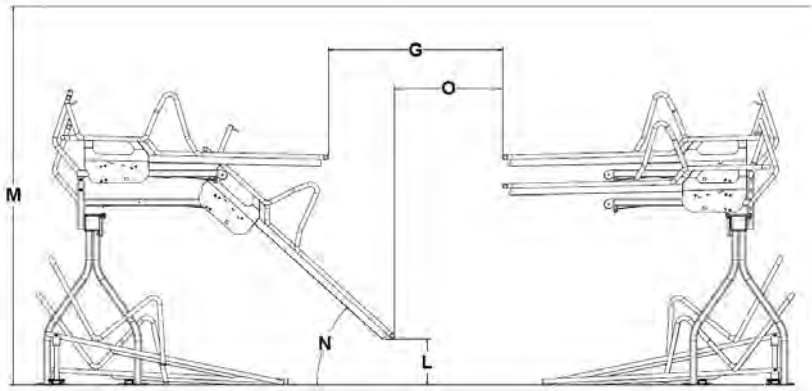
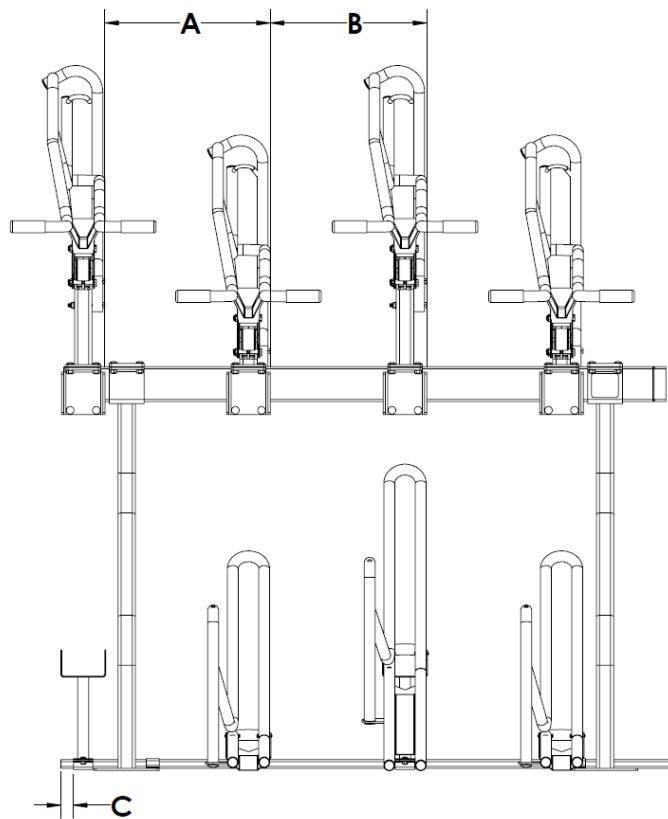


Figure 1



Handlebar Spacing	A	B	C
17" (43.2 cm)	19" (48.3 cm)	17" (43.2cm)	1.47" (3.7 cm)
18" (45.7 cm)	19" (48.3 cm)	18" (45.7 cm)	1.47" (3.7 cm)
24" (61.0cm)	24" (61.0 cm)	24" (61.0cm)	1.47" (3.7 cm)

Left most Upper Mounting tube should be flush to the end of the Upper Crossbeam to set up proper spacing.

Figure 2