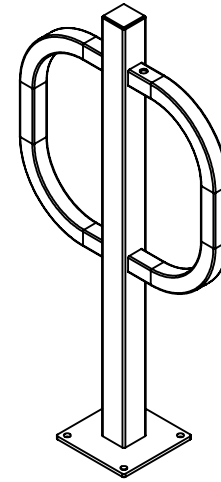
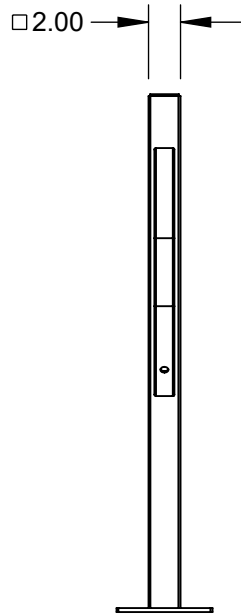
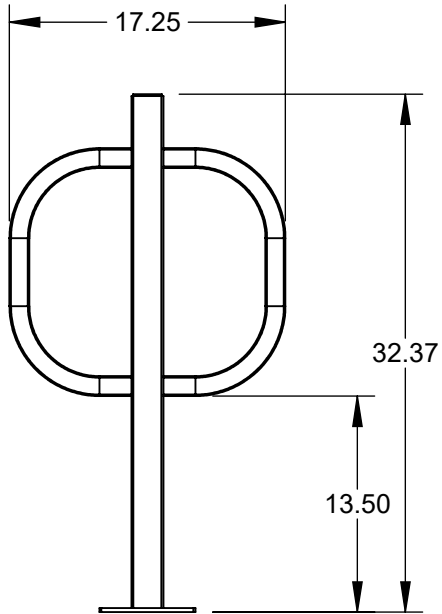


6"X6"X0.25" SQUARE FLANGE  
MOUNTING PLATE WITH 4  $\phi$  3/8"  
MOUNTING HOLES



NOTES:

1. DO NOT SCALE DRAWING.
2. INSTALLATION TO BE COMPLETED IN ACCORDANCE WITH MANUFACTURER'S SPECIFICATIONS.
3. TOTAL WEIGHT: 20.22 LBS



5253 VERONA ROAD, MADISON WI. 53711  
1-800-783-7257 / WWW.SARIS.COM

© SARIS CYCLING GROUP 2014  
THE INFORMATION CONTAINED IN THIS DRAWING IS THE SOLE CONFIDENTIAL PROPERTY OF  
SARIS CYCLING GROUP ANY REPRODUCTION IN PART OR WHOLE WITHOUT  
THE WRITTEN PERMISSION OF SARIS CYCLING GROUP IS PROHIBITED.

TITLE:  
**POST AND RING RACK GALV**