

# BIKE PERCH



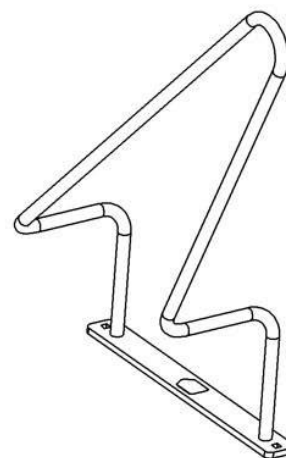
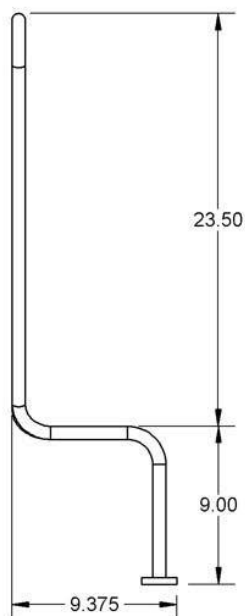
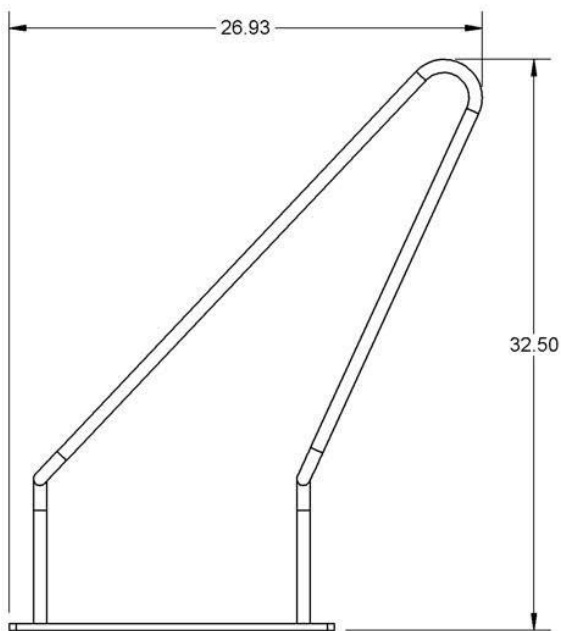
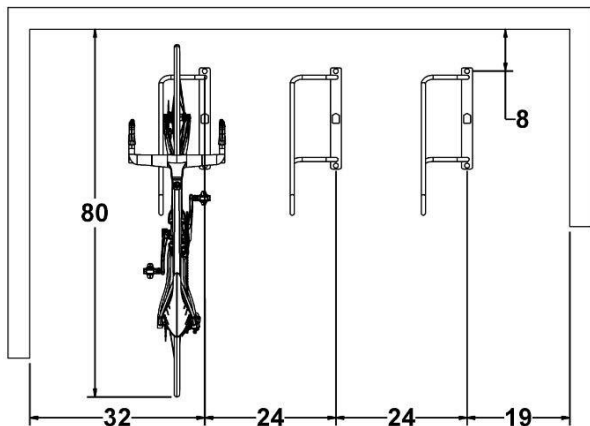
The Bike Perch provides a low cost, high density bike parking option with a unique look to make your racks stand out. The main bike position in the wheel well provides a stable parking space and a second bike can be parked on the opposite side to provide high-density parking without handlebar interference. Can be surface mounted on its own or to rails for a freestanding setup.

## Product Specifications

- Unique single piece upright makes a statement
- Can mount directly to surface or in several rail mount configurations
- $\frac{3}{4}$ " solid steel bar provides security and strength
- Parks one bike in wheel well and can accommodate 2nd bike on opposite side for higher density parking
- Meets APBP bike parking guidelines

# Bike Perch

## Recommended Setbacks



Dimensions						
Model	# Bikes	Finish	Weight	Length	Height	Width
6501BLK	1-2	Powder Coat	15 lbs.	26.9"	32.5"	9.4"
6501	1-2	Galvanized	15 lbs.	26.9"	32.5"	9.4"



2 bikes



3/4" Solid Bar



Powder Coat  
Galvanized



Temporary: 34232  
Temporary  
Secure: 34233



1 year  
warranty



Made in  
the USA

Anchors must be purchased separately

Our Saris Infrastructure representatives can assist with custom layout and spacing to meet your room dimensions and desired bike capacity.

Saris Infrastructure

800.783.7257

www.sarisinfrastructure.com

Downloadable product resources available online:



CAD Files



SketchUp Files



Written Specs



Photos