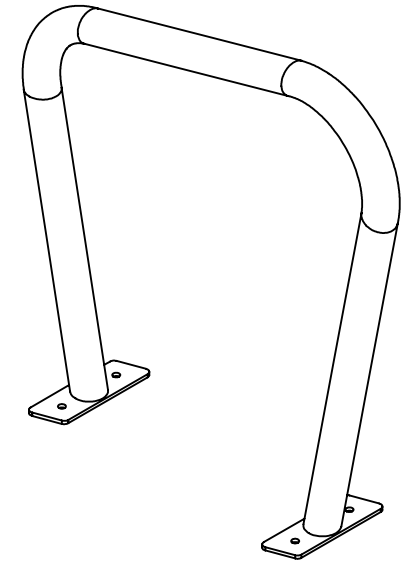
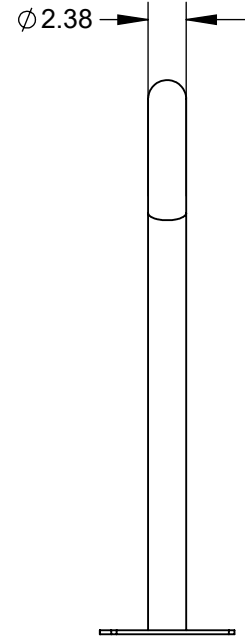
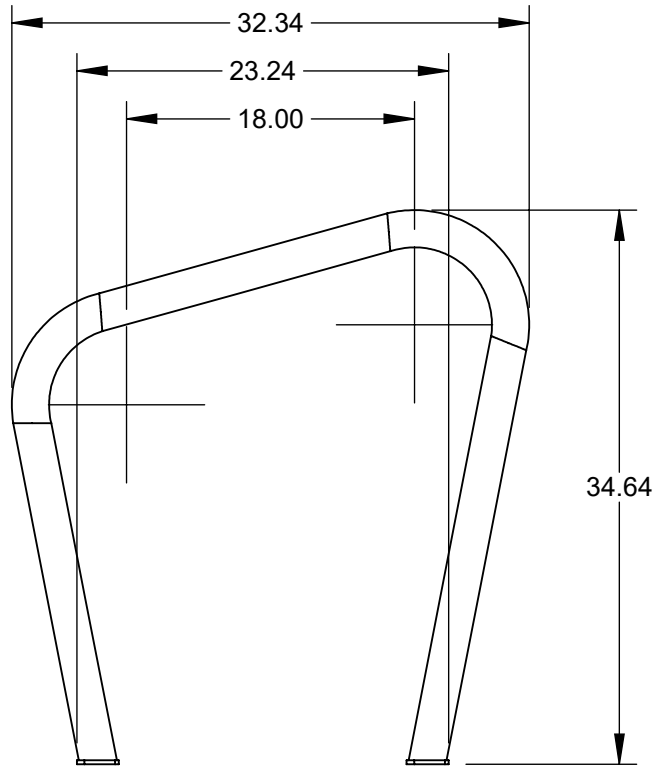


2X 8.42"X2.63"X.25" FLANGE
 2 HOLES SIZED FOR Ø 3/8"
 HARDWARE



NOTES:

1. DO NOT SCALE DRAWING.
2. INSTALLATION TO BE COMPLETED IN ACCORDANCE WITH MANUFACTURER'S SPECIFICATIONS.
3. TOTAL WEIGHT: 24.06 LBS



5253 VERONA ROAD, MADISON WI. 53711
 1-800-783-7257 / WWW.SARIS.COM

© SARIS CYCLING GROUP 2014
 THE INFORMATION CONTAINED IN THIS DRAWING IS THE SOLE CONFIDENTIAL PROPERTY OF SARIS CYCLING GROUP ANY REPRODUCTION IN PART OR WHOLE WITHOUT THE WRITTEN PERMISSION OF SARIS CYCLING GROUP IS PROHIBITED.

TITLE: **2.375" SST BIKE DOCK**