



www.bikefixtation.com

2647 37th Ave. S Unit 1, Minneapolis MN 55406
Phone: 612-568-3498 • E-mail: info@bikefixtation.com

Installation Instructions for Bike Fixtation Public Work Stand and Floor Pump Manual 311110 RevH

Parallel Wall or object Setbacks:

Both sides of the Public Work Stand should be at least 48" from walls or other obstructions. The back of the Public Work Stand should be 12" from wall. The Public Work Stand should not protrude into a bike lane, walkway, or common area. See Figure 1.

Street Setbacks:

For Public Work Stands installed perpendicular to the street, a 60" setback is the minimum. For Public Work Stands running parallel to the street, a 96" setback is recommended.

Floor pump location:

Floor pump should be mounted inline with the Public Work Stands mounting flange 6" away. See Figure 1.

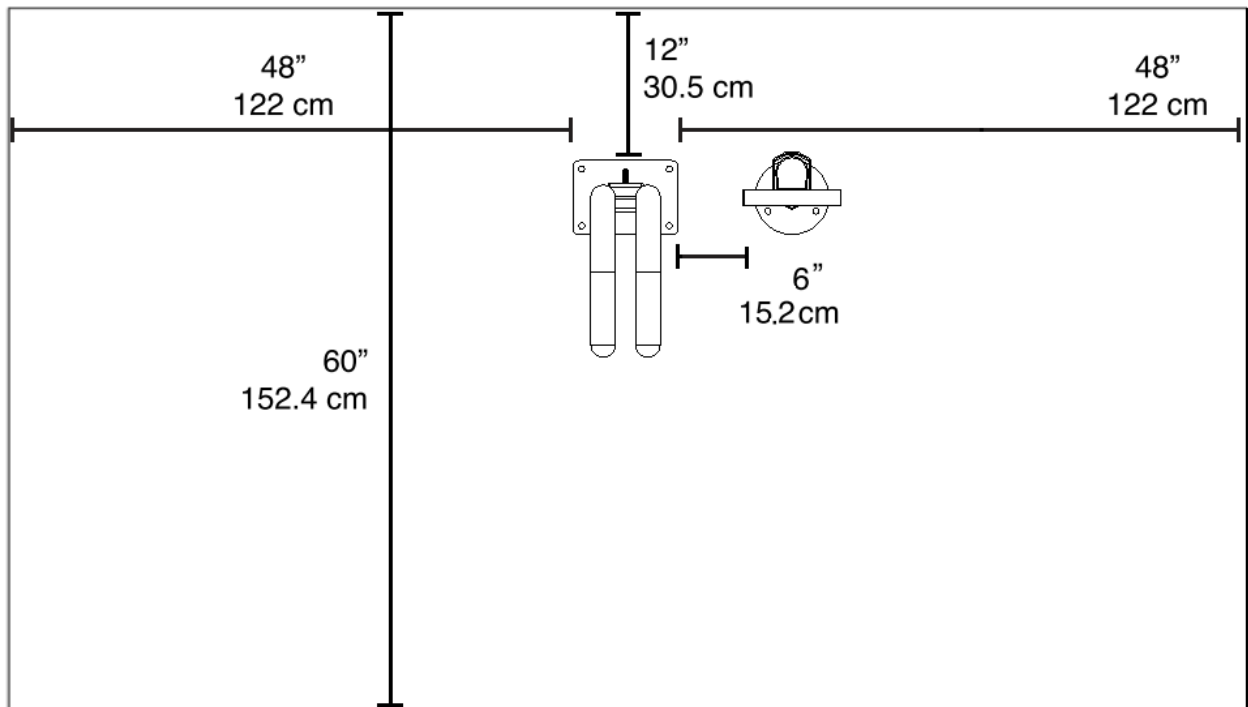


Figure 1: Setbacks

Tools Needed for Installation (Installer provides)

Tape Measure
½" Masonry Drill Bit Drill (Hammer drill recommended)
Hammer
3/8" drive ratchet
Marker or Pencil
SAE hex key set
Level

Tools for Installation Provided with Equipment



Anchor Set Tool



*Penta Security Socket



Concrete Anchor

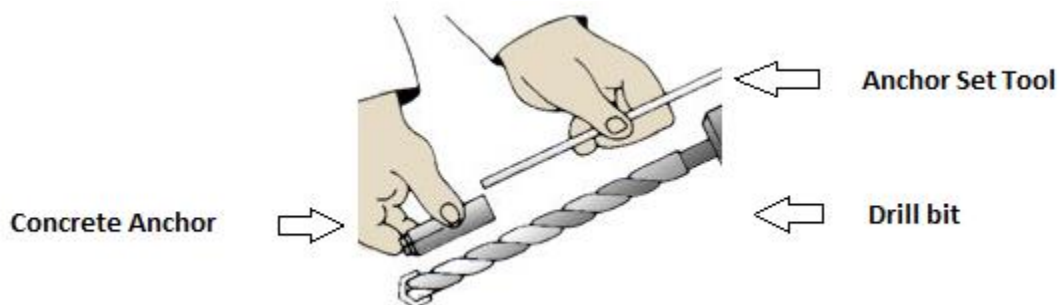
2 button head hex bolts
2 threaded concrete anchor studs
2 Penta nuts (use with anchor studs)

***DO NOT THROW AWAY THE PENTA SOCKET AFTER COMPLETING THE INSTALLATION. YOU WILL NEED IT TO REMOVE THE EQUIPMENT IS THAT IS NECESSARY.**

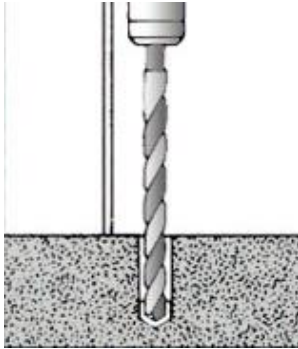
****All manual pumps also come with a tube of lubrication for the pump's piston rod. See Appendix A for Bike Fixtation's recommended preventative maintenance schedule.**

Installation

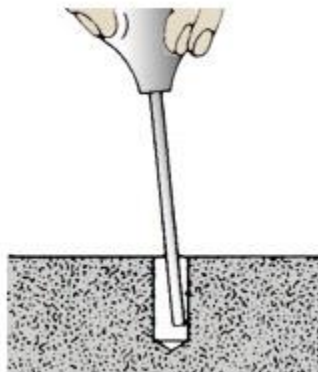
1. Place the repair stand and pump in the desired location (see setbacks). Use a marker or pencil to outline the holes of the flange onto the base material. We recommend checking the hole locations after each new anchor is placed. Ensure the holes are at least 6" away from any cracks in the base material.
2. The concrete anchor (a.k.a "drop in anchor") is a female anchor designed for use in solid concrete only and cannot be used in brick or block base material. The anchor size is designated by the inside diameter of the anchor. The Bike Fixtation Public Work Stand and Manual Pumps come with 3/8"-16 anchors. The diameter of the hole to be drilled is the same size as the outside diameter of the anchor which is 1/2".
3. When fastening to solid concrete with a drop in anchor, a hole must first be drilled into the concrete. A hammer drill should be used as it will drill the best quality hole. Once the bit is inserted into the hammer drill, the depth of the hole to be drilled can easily be set by using the depth gauge on the drill or by wrapping the bit with tape at the required depth. We recommend a drill depth of 1-5/8" deep so that the anchor just sets down flush with the surface.



4. Before starting to drill the hole, it is important that eye and ear protection are used. Make sure the hammer drill is in the hammer mode and start drilling your hole. Continue drilling until the tape on the bit or the drill gauge meets the base material- this means that the required depth has been reached.



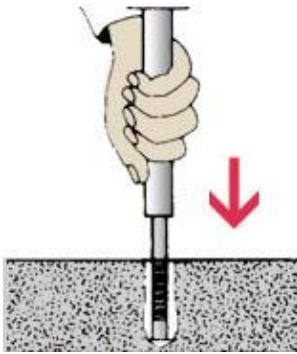
5. Before proceeding with installation, the hole must be cleaned of all concrete dust to ensure proper fastening. Use a wire brush, a vacuum or compressed air to clean out the hole completely.



**Tool to remove debris
after drilling holes.
Installer provides.**

6. Next, insert the drop in anchor with the open side up. Tap lightly to get the anchor flush with the base material.

7. Now, take the setting tool and insert it into the anchor. Strike the setting tool with the hammer until the lip of the anchor touches the lip of the setting tool. This will ensure the anchor is properly set.



8. For the Public Work Stand - place the stand over the 4 anchors. You will be using 2 studs for the Penta nuts and 2 button head hex bolts (opposite sides from each other). You will thread the studs into the anchors prior to installing the Penta nuts using the Penta socket. Use the hex wrench to tighten the button head hex bolts.
9. For the manual pump – place the pump over the 3 anchors and follow the same steps as Step 8.
10. Before tightening everything down, make sure the stand and/or pump are level and adjust accordingly with washers underneath the flanges.
11. Install cabled tools using the tool lock plate to hold the cables place. The center cable stop will rest between the tool lock plate grooves (see below image). Tighten the Penta nut on the lock plate using the Penta socket. Ensure that all tools are properly tethered and none of the tools are touching the ground. Congrats! You're finished!



Appendix A

Maintenance Item	Frequency	Part Cost	Time required
Pump head renewal	every 3-12 months as required	\$6	2 minutes
Lubrication of pump rod	every 6-12 months as required	\$1	2 minutes
Full pump overhaul	every 24+ months as required	\$30	30 minutes
Tool Replacement	As required	\$10	15 minutes

*For instructions on how to perform these tasks, please contact sales@bikefixtation.com for a copy of our High Security pump service manual.