



www.bikefixtation.com

2647 37th Ave. S Unit 1 Minneapolis MN 55406
Phone: 612-568-3498 • E-mail: info@bikefixtation.com

Site Layout for Bike Fixtation Public Work Stand

Minimum Space Requirements

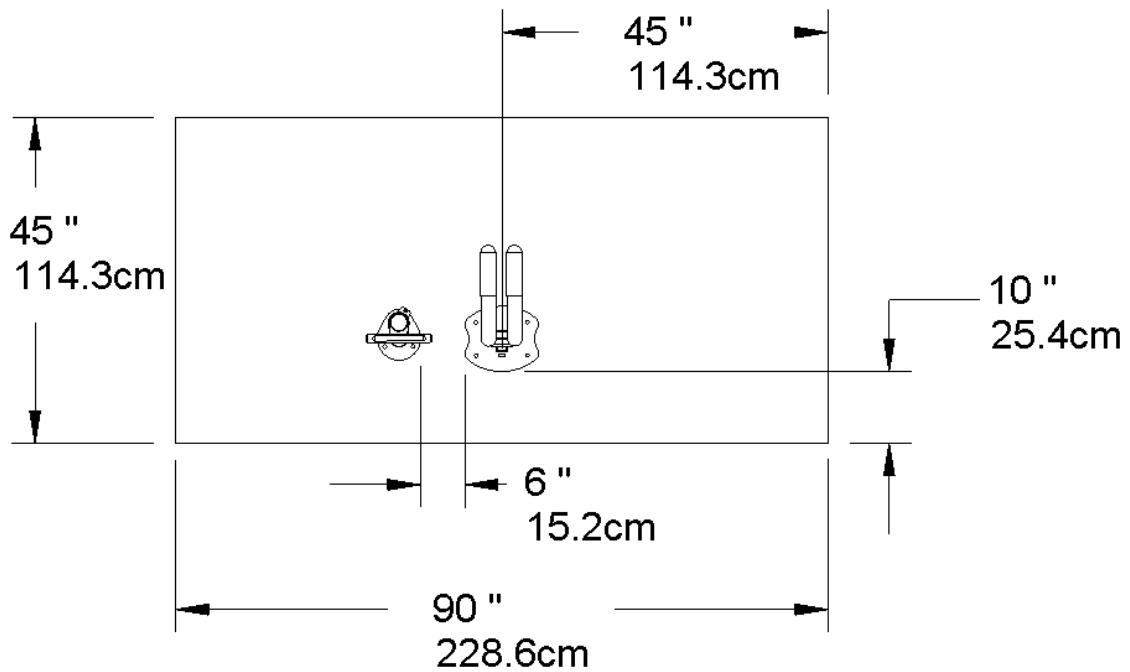


Figure 1: Minimum space requirements

Setbacks

It is recommended that all equipment is spaced a minimum of 60" from an adjoining street or cycle path.

Pad size

If you are pouring a new concrete pad, we recommended a 36" x 36" x 4" pad.

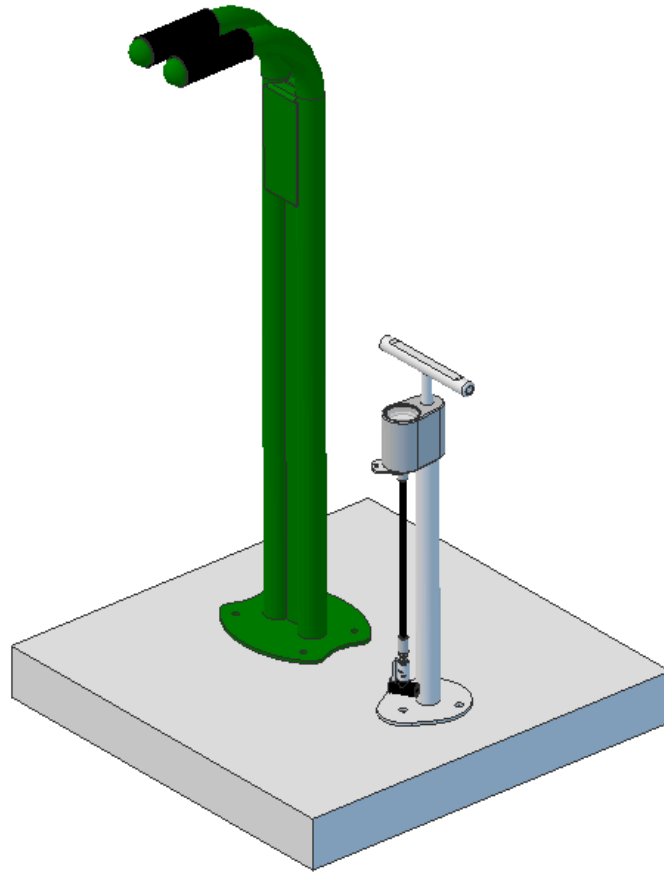


Figure 3: Recommended new pad configuration