



# INDOOR PUMP

The High Security Indoor Pump is a perfect shared-use bike pump for inside installation. It is ideal for bike rooms and parking areas. A high quality, solid stainless steel piston rod, alloy handle and smash proof gauge cover provide maximum vandal resistance and durability. Heavy duty, cut-resistant hose and security fittings hold a replaceable pump head that handles both Presta and Schrader valves with ease.



26248 Shown

## Product Details

- Solid stainless steel piston rod, alloy handle, and smash proof gauge cover provide maximum vandal resistance
- Hose with braided steel core provides protection against cutting
- Choice of two hose lengths (18" or 35")
- Universal pump head works with Presta and Schrader valves
- 2 year warranty

## Specifications

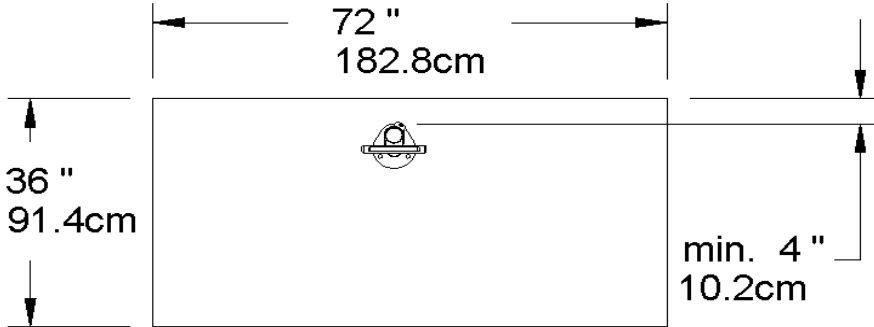
Model #	Finish	Type of Mount	Weight	Length	Width	Height	Space Requirement
26248	Powder Coat	Flange Mount	20 lbs.	8"	8"	30"	See Back
26252	Powder Coat	Repair Stand Mount	20 lbs.	8"	8"	30"	See Back

**Our Bike Fixation representatives can assist with custom layout and spacing to meet your room dimensions and desired bike capacity.**

# Indoor Pump

## Recommended Spacing

The minimum space requirements for High Security Bike Pumps are meant to allow a cyclist and their bike access to the pump.



Product Information

Manufactured by Bike Fixation



# of Bikes

???



Materials

Powder coat



Finish

Installation hardware included



Made in the USA



2 year warranty



Standard Colors

Downloadable product resources available online:



CAD Files



SketchUp Files



Written Specs



Photos